

Built to Last

Engineered to Protect



KIYARA
STEELS FABRICON
PRIVATE LIMITED

OUR PRODUCTS

ELECTROFORGED
GRATINGS

GI EARTHING STRIP &
PIPES

CABLE TRAYS

HANDRAILS
& SAFETY LADDERS

STRUCTURAL STEEL
FABRICATIONS

SERVICES :
HOT-DIP GALVANIZING
JOB WORK





Kiyara Steels Fabricon Pvt. Ltd., a sister concern of Bholaram Steels Pvt. Ltd., has established a new Fabrication unit at Hansot, Ankleshwar with an in-house hot dip Galvanizing Plant under the technical leadership of C.E.O Mr Ashish Jain (B.TECH [MECH], NIT SURAT & C.A.) & Mr Deepak Kumar Agrawal (G.M. Unit Head) experienced in the same trade for the last 20 years.

The unit is a state-of-the-art fabrication facility and galvanizing unit with an initial annual capacity of 18,000 MT, planned to be expanded to 30,000 MT by mid next year.

FACILITY HIGHLIGHTS

TOTAL AREA	EXISTING COVERED AREA	UNCOVERED AREA	PROPOSED ADDITIONAL COVERED AREA
3,50,000. SQ. FT.	65,000 SQ. FT.	2,85,000 SQ.FT.	95,000 SQ. FT.

OUR PRODUCT RANGE

01	02	03	04	05
ELECTRO FORGED GRATINGS	CABLE TRAYS AND GALVANIZED EARTHING STRIPS	HANDRAILS & LADDERS	SAG RODS & FOUNDATION BOLTS	ALL TYPES OF STRUCTURAL STEEL FABRICATIONS
				
<ul style="list-style-type: none"> High strength and corrosion resistance Available in custom sizes and finishes Ideal for industrial flooring, walkways, and platforms 	<ul style="list-style-type: none"> Perforated, Ladder & Wire Mesh Types Designed for easy cable management and ventilation Galvanized Earthing Strips & Pipes in all sizes 	<ul style="list-style-type: none"> Custom-designed handrail systems Suitable for industrial and architectural use Options in mild steel, S.S. galvanized, and painted finishes 	<ul style="list-style-type: none"> Precision-engineered for structural stability Manufactured to meet exact client specifications Available in various grades and coatings 	<ul style="list-style-type: none"> Light, Medium and Heavy Steel Structures Suitable for industrial and architectural use Options in mild steel, galvanized, and painted finishes

IN-HOUSE HOT-DIP GALVANIZING FACILITY

At Kiyara Steels Fabricon Pvt. Ltd., we take corrosion protection seriously.

Our state-of-the-art Hot-Dip Galvanizing plant ensures that every product we manufacture is built to last longer, perform in harsh environments, and require minimal maintenance over its service life.

KEY HIGHLIGHTS

Fully integrated
in-house
galvanizing line

Kettle Size:
7m x 1.0 m x 1.2m

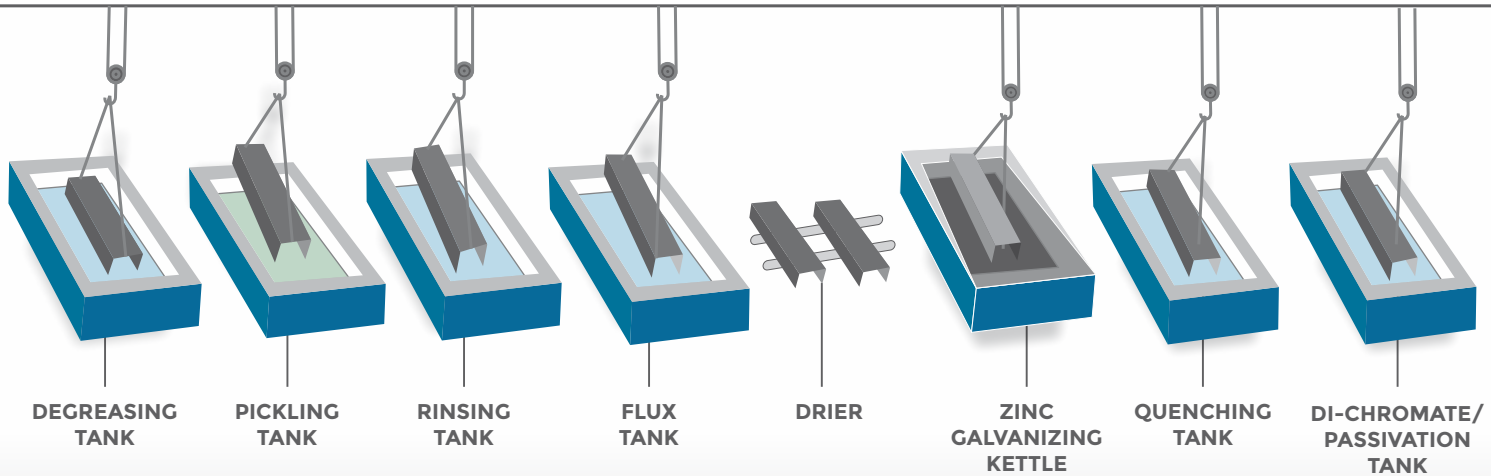
Uniform zinc coating with
proper pickling, fluxing &
quenching process

Adherence to
ASTM A123 / IS 2629 /
ISO 1461 Standards

Excellent corrosion resistance
suitable for coastal, industrial &
outdoor environments

Consistent Quality +
Reduced Project Lead Time
+ Cost Advantage

HOT DIP GALVANIZATION PROCESS



WHY CHOOSE KIYARA STEEL?



Complete
in-house fabrication,
galvanization & painting



Experienced
technical and
design team



ISO-compliant
quality assurance
system



Timely delivery
and project-specific
customization



Nationwide supply and
logistics support



INDUSTRIES WE CAN SERVE

- Power & Energy
- Oil & Gas
- Construction & Infrastructure
- Petrochemical Plants
- Railways & Ports
- Manufacturing & Process Industries
- Electrical Contractors
- Cement Plant
- Ship Building
- Fertilizer Plant
- External Fencing and Gates



TEAM STRENGTH

We have a well-qualified and experienced team for

- **Technical Operations**
- **Commercial and procurement management**
- **Skilled fabrication and quality control**

Our parent company, Bholaram Steel Pvt. Ltd., is a trusted name among PSUs and major corporate clients. With this new facility, we aim to expand our legacy of excellence.

GET IN TOUCH

We are fully equipped to be your one-stop solution for

Gratings, Handrails, Step Treads, Cable Trays, Clamps, Safety Ladders & Structural Steel Fabrications. We welcome the opportunity to connect with you through a personal meeting or virtual presentation. Kindly share your requirements at:

Phone : +91 98256 12222 (Mr Ashish Jain, C.E.O)
+91 94310 11454 (Mr Deepak Agrawal, Unit Head)
Email : admin@ksfpl.com



KIYARA STEELS FABRICON PRIVATE LIMITED

LOCATION

FACTORY ADDRESS:

RS No 106, Village-Kalam, Taluka-Hansot, Gujarat 393030.

Location :-

https://maps.app.goo.gl/eLLazxLzMHmkPZtGA?g_st=aw

OFFICE ADDRESS (CURRENT):

328, Homeland City, Udhna Magdalla Road, Surat - 395007, Gujarat

OFFICE ADDRESS (NEW FROM 01-04-26):

901, Rajhans Skylar, Y-Junction, Udhna Magdalla Road, Surat 395007, Gujarat.

Nearest Railway Station:
Ankleshwar Junction

Nearest Airport :
Surat International Airport

Nearest Sea Port:
Dahej Port

We look forward to building a successful partnership with your esteemed organization.